



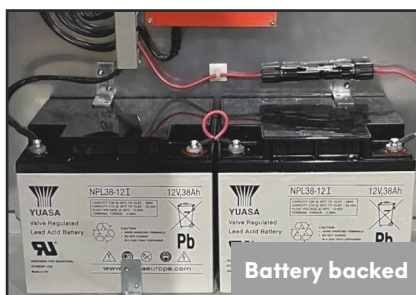
## CONTROL HUB 302 - WALL MOUNT

Every FCam CORE system needs one Control Hub, which provides control and interface functions. The Control Hub Mini supports up to 2 QLS devices directly, and up to 128 with the use of Extension Hubs. For details of QLS devices (e.g. fire detection cameras and input/output modules) please see relevant data sheets.

Control Hubs are available in the following formats:

- CT-MHBB-106 6 channel 19" rack-mount
- CT-MHBB-206 6 channel wall-mount
- CT-MHBB-302 2 channel wall-mount IP65, 304L stainless steel
- CT-MHBB-306 6 channel wall-mount IP65, 316L stainless steel

### Features



Meets the requirements of BS5839-1 for L1-5 and P1-2 category systems (with remote fault monitoring).

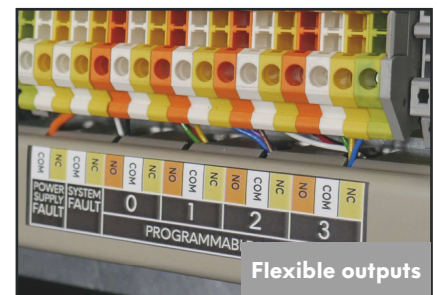
During a mains failure the Control Hub will continue to power itself and up to two attached QLS devices for 24 hours in standby plus 30 minutes in alarm. NB The NVR recorder and any other ancillary equipment is not battery-backed.



Simple cabling

Designed specifically for use with fire-rated "FP" data cable, all cable termination is via punchdown block or screw terminal, all of which are clearly labelled and easily accessible.

Cable entry to the cabinet is via 20mm glands, which are supplied ready-fitted so no drilling is required.



Flexible outputs

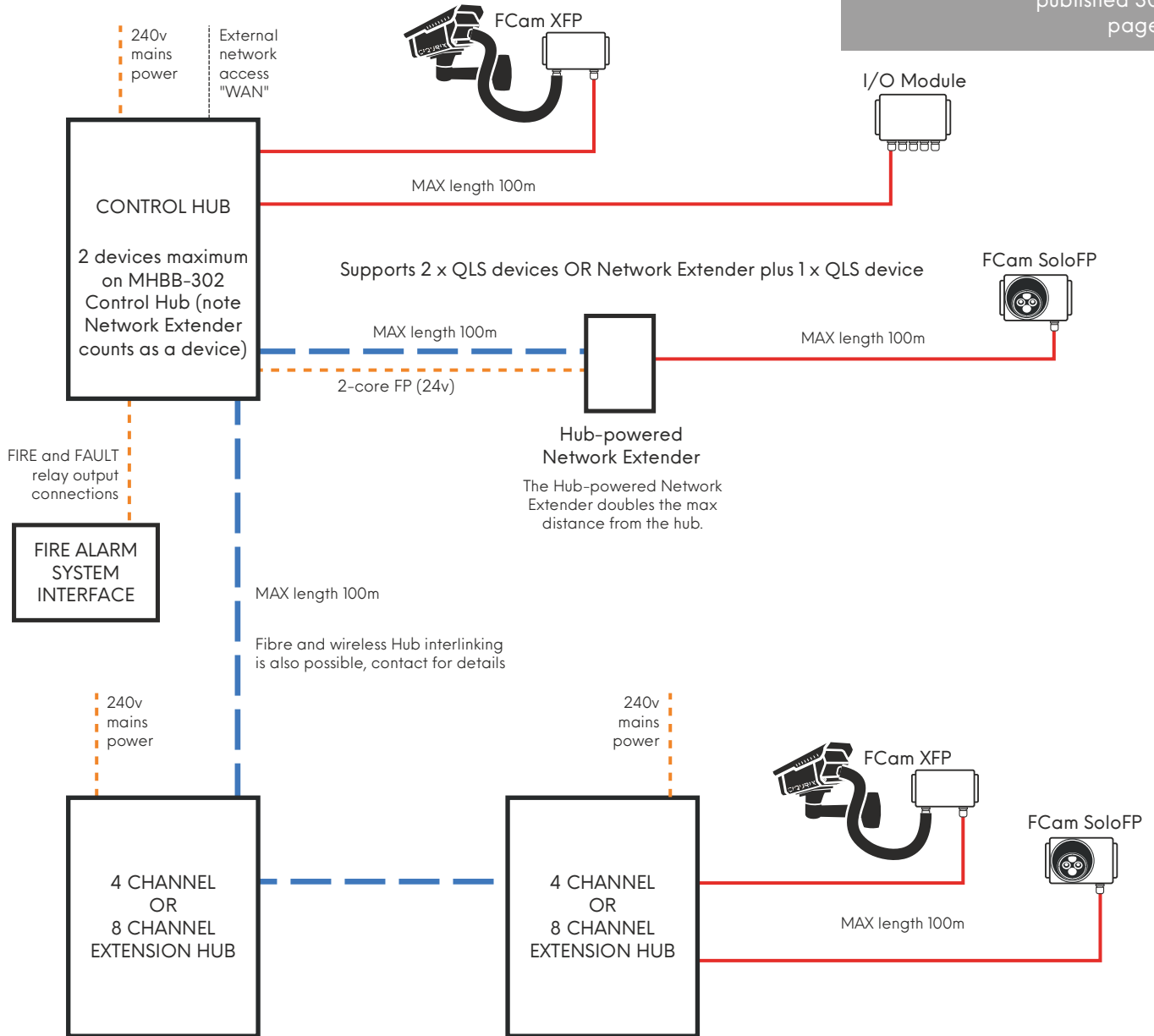
Four programmable alarm relays plus a system fault relay provide universally compatible signalling to other systems, eg. fire alarm, fire suppression, remote communicator.

CORE I/O Modules can be connected if additional outputs are required. Each Module provides four programmable outputs.

# Layout

This is an indicative layout for guidance only. Every site is different; please contact your supplier for advice.

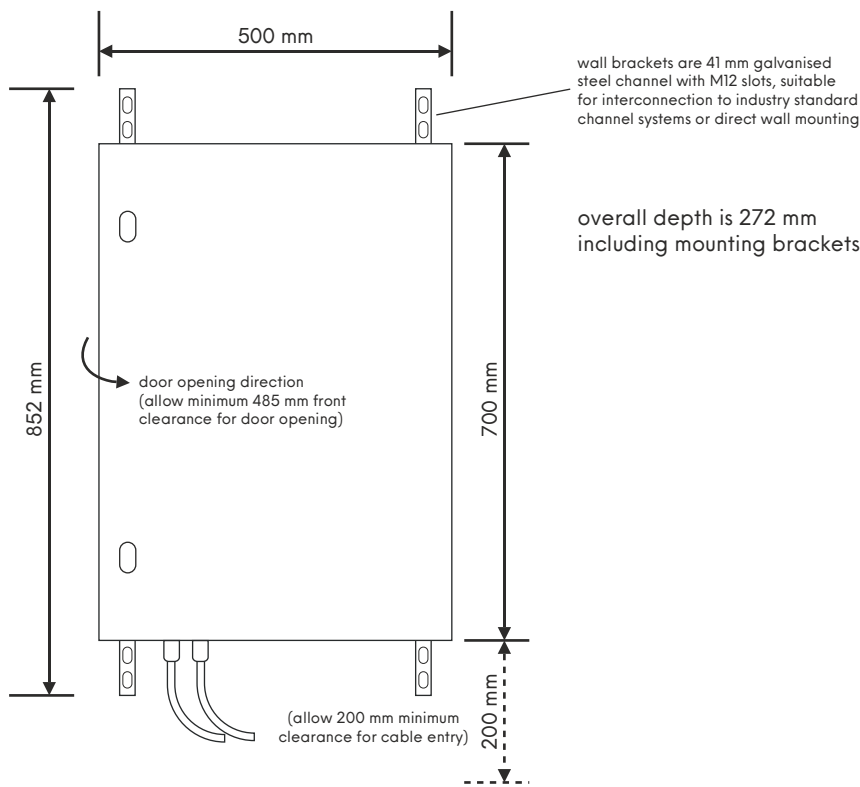
- — — — Hublink - fire rated cat6 - data
- — — — QLS - fire rated cat5e or cat6 - data/power
- - - - - Ancillary connections - standard "FP" 2 core



4 or 8 additional devices maximum per Ext Hub (depending on model).  
Hubs can be connected directly to Control Hub or daisy-chained.

Each QLS field device is connected directly to a Hub using a fire rated 4-pair cat5e or cat6 data cable. Hubs are linked together using fire rated 4-pair cat6 data cable (fibre-optic and wireless linking is also possible). Hub-powered Network Extenders also require a fire rated 2-core dc power cable from a Hub.

E&OE. Ciqurix operates a program of continuous product development. Specifications may be subject to change without notice. Please check with Ciqurix for the latest information.



## Specification

<b>Voltage:</b>	220-240Vac 50Hz
<b>Current:</b>	4A (inrush max 30A <30ms)
<b>Power Input:</b>	Screw terminal
<b>Batteries:</b>	Yuasa NPL38-12I 38Ah 12V VRLA x 2 (included)
<b>Temperature:</b>	+5 to +40 °C < 90% Humidity
<b>Environment:</b>	IP65 (protected against water and dust ingress). Fabricated from 304L stainless steel, suitable for external use apart from in atmospheres with very high salt/chloride concentration (e.g. dockside).
<b>Weight:</b>	56kg (incl batteries)
<b>Dimensions:</b>	500mm (w), 272mm (d), 852mm (h) - incl fixing brackets
	Optional NVR (video recorder) - max dimensions 400 x 330 x 55 mm - factory fitted only
<b>Connections:</b>	1 x system global fault output (changeover relay)
	4 x programmable alarm outputs (changeover relays)
	2 x QLS ports for FCam CORE cameras or CORE I/O Modules (Krone IDC punchdown)
	1 x hublink port for Extension Hub connection (Krone IDC punchdown)
	1 x WAN port for external network access (Krone IDC punchdown)
<b>Optional:</b>	Fibre optic upgrade to hublink port and/or WAN port, modified hublink port suitable for wireless hublink. <i>All options incur a fixed customisation fee plus the cost of any additional equipment required.</i>

